





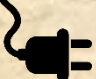
GR160S



Design S

Fuel Type	Gas
Oven Type	Rotary

Gas ovens with Design S and rotating floor are basic one with metal cover and an arc facade finish – simple, elegant very durable where quality is viable. Those ovens are suitable both for inside kitchen use and building in option where only the oven face will be visible for customers. The rotation of the base provides the flexibility for easier operation, equal baking inside the chamber and higher efficiency.

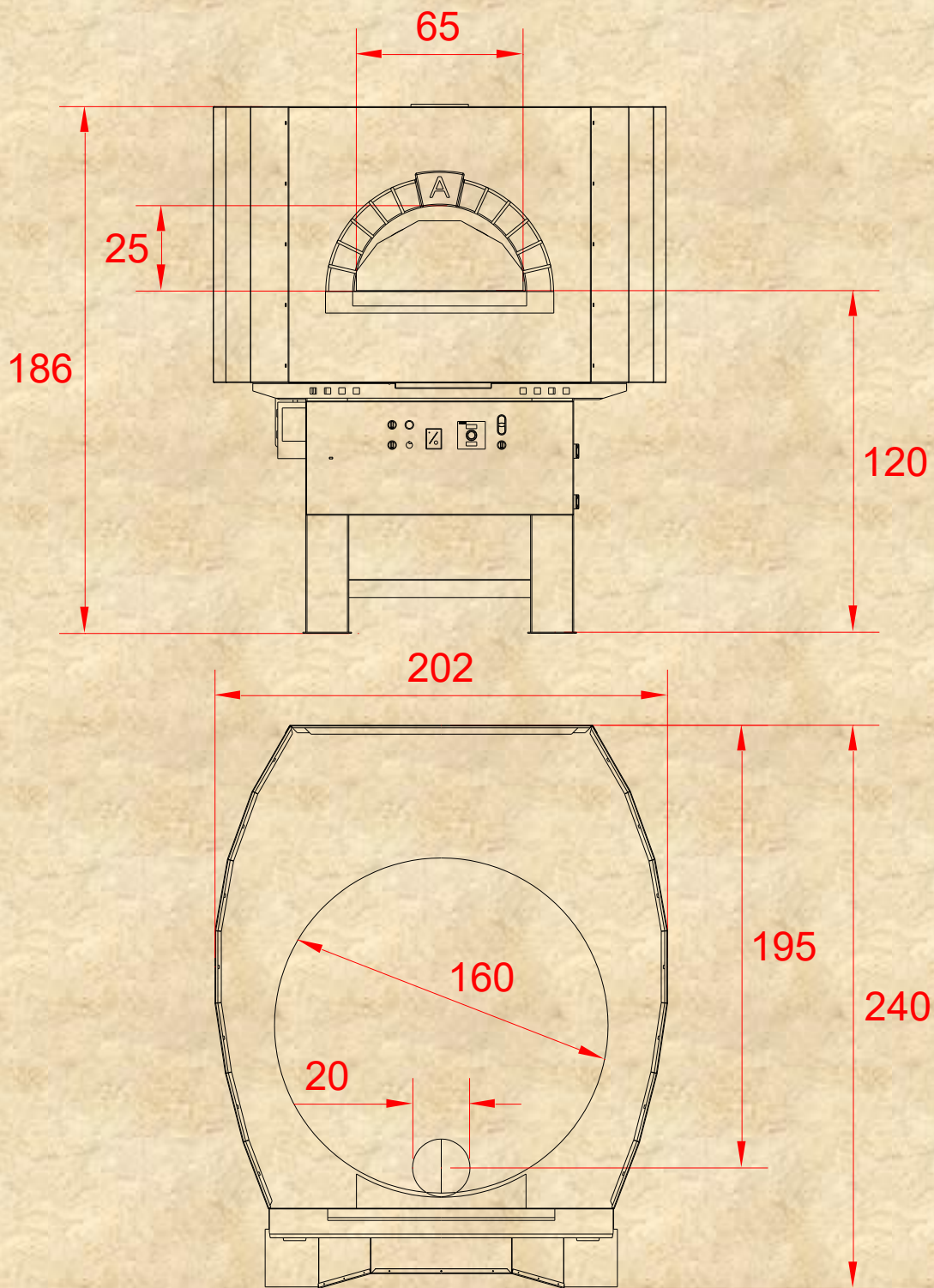
Capacity	18  30 cm		Thermal Power	36 kW	
Productivity	270  per hour		Gas Connection	3/4"	
Gas Consumption 	Natural Gas	LPG	Gas Pressure	G30-31	G20
	4.5 mc/h	3.8 kg/h		37 mbar	20 mbar
Weight 	2300 kg		Electrical Supply 	230V/50Hz	



We are a company, specializing in the manufacture of professional ovens for pizzerias.

AS TERM L.T.D
144 Tsar Ivan Asen II
4230 Asenovgrad
Bulgaria

tel/fax +359 331 462 42
info@astermforni.com
www.astermforni.com



***Dimensions in cm**



We are a company, specializing in the manufacture of professional ovens for pizzerias.

AS TERM L.T.D
 144 Tsar Ivan Asen II
 4230 Asenovgrad
 Bulgaria

tel/fax +359 331 462 42
info@astermforni.com
www.astermforni.com